

Instruction Manual

Electric Hot Pot

K12-D603E(BROWN)/(SALLY)

Before using this product, please carefully read this manual and keep it properly.



©LINE

Dear users:

Thank you for using the Joyoung Electric Hot Pot ! In order to facilitate you to operate the machine correctly, please read the manual carefully before use. Be sure to read Chapter I "Safety Precautions" carefully.

(The technical specifications in the manual are subject to change without prior notice)

Contents

Foreword	1
Packing List	1
Chapter I Safety Precautions	2-3
Chapter II Component Description	4-5
Chapter III How to Use	5-6
Chapter IV Care and Maintenance	7
Chapter V Maintenance Service Guarantee	8
Chapter VI Model and Specifications	8
Chapter VII Troubleshooting.....	9
Chapter VIII After-Sales Services.....	10

Foreword

Dear users, hello! Thank you for using Joyoung Electric Hot Pot. In order to make you use and maintain this product correctly, we specially prepare this manual. Please read it carefully before use and keep it properly for reference in the future.

The manual is only applicable to K12-D603E(BROWN) and K12-D603E(SALLY) Electric Hot Pot of Joyoung Company Limited which reserves the right of final interpretation of the manual. All contents in the manual are only for users' reference during use and maintenance. Welcome users to consult your local dealer for uncovered contents. Wish Joyoung Electric Hot Pot to make your life more comfortable, convenient and healthy.

Packing List

Name	Main Unit	Pot lid	Food steamer	Power line	Manual
Quantity	1	1	1	1	1

— 1 —

Chapter I Safety Precautions

- ⚠ Warning: Be alert to risks that may lead to personal danger, serious injury or significant property loss;
- ⚠ Caution: Be aware of risks that may result in injury to persons or damage to items;
- ⚠ Warning:

- The product will produce high temperature and steam during the working period. Please do not touch or near the high temperature part such as the steam hole to prevent scald.
- Do not immerse the product and the power line into any liquid in order to prevent electric shock, short circuit and other dangers.

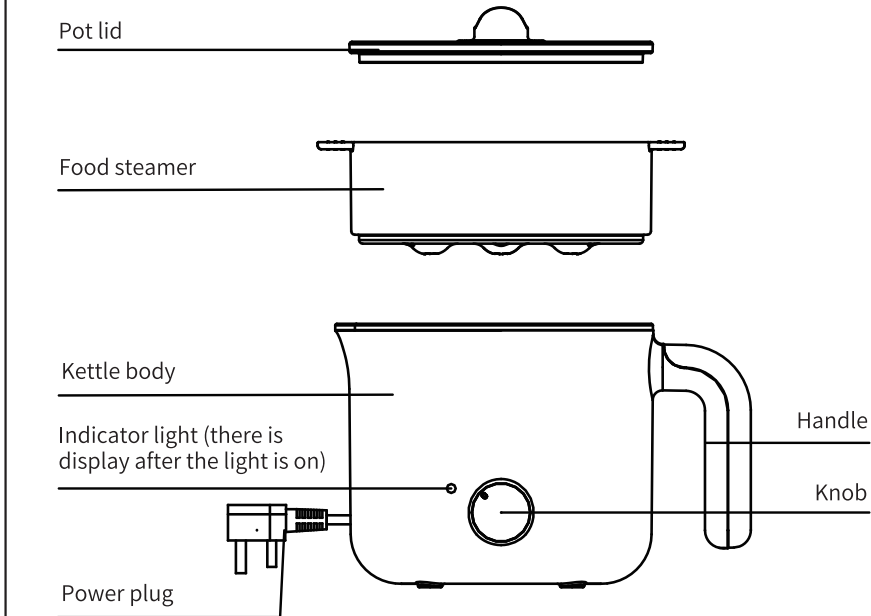
⚠ Warning:

- This product is not recommended for use by children or people with physical, sensory or mental disabilities, unless they are supervised and directed by someone responsible for their safety in the use of the product. Look after children to ensure that they do not play with this product.
- This product is only for family use. Our company shall not be responsible for any failure caused by commercial use, inappropriate use or failure to comply with this manual.
- Do not cook the food that is easy to stick to the bottom of the pot so as not to affect the normal operation of the machine.
- This product must work with the power base provided by our company.
- After opening the package, please throw the plastic bag into the trash can so as to avoid the risk of choking if the children play with it.
- Do not insert pins, wire or other metal objects into any gap or opening of the housing and the base to prevent electric shock or other injury accidents.
- Make sure that the power cord will not contact with sharp edges, burr edges, other protruding sharp objects or items with high temperature on the surface to avoid leakage, thus causing electric shock or fire.
- The power line dangling is easy to cause accidents, therefore, it is recommended to arrange the power line in a reasonable position so as to avoid tripping.
- Before switching on the power supply, please check whether the voltage marked on the product is consistent with the supply voltage so as to avoid damage to the components or fire.
- The grounding socket above 10A must be used alone, and the plug must be thoroughly inserted into the socket to avoid overheating and burning of the components due to poor contact, thus causing short circuit, fire and other dangers.
- Please operate it on a flat platform. Do not operate the product on carpets, towels, plastic, paper and other flammable materials to prevent fire.
- Do not put the product on the unstable, humid, high-temperature, smooth and heat-resistant surface for use in order to prevent the boiling water from splashing, electric shock, fire, falling and other injuries and property losses.

— 2 —

— 3 —

Chapter II Component Description



S.N.	Part Name	Components and Functions
1	Pot lid	Used to cover the food steamer or kettle body
2	Food steamer	Used to contain food steamed in clear soup
3	Kettle body	Used to hold the water or food and be equipped with the heating element
4	Indicator light	Used to indicate whether the machine works
5	Handle	Used to grasp the healthy pot
6	Knob	Used to adjust the flame size
7	Power plug	Used to connect the power supply

Chapter III How to Use

- Please read this manual carefully before use and pay attention to the "precautions for safety use".
- Put the pot body on the table, add proper amount of water or required food ingredients into it, cover the pot lid with the filter hole on the pot lid aligned with the spout, plug in the power plug, turn the knob to the "LOW" or "HIGH" position; then the healthy pot will enter the working state.
- If you need to use a food steamer, add right amount of water or the required food ingredients into the pot, then put the steamer on the pot body, and then put the appropriate amount of food steamed in clear soup into the steamer and cover it with the filter hole on the pot lid aligned with the spout, plug in the power plug, turn the knob to the "LOW" or "HIGH" position; then the healthy pot will enter the working state.

— 5 —

Warm Tips

- Please add appropriate amount of water or food according to the mark of water level on the pot body, do not exceed the maximum water level; besides, keep enough water in the pot so as to avoid dry boiling.
- In order to prevent the overflow of the pot, lift the pot lid and keep away from the pot body to prevent scald when the water in the pot is about to boil.
- If you want to stop heating, turn the knob to the "off" position and unplug the power plug.
- In the working process of the appliance, it is strictly prohibited to touch the heating plate and the surface of the product to avoid scald.
- Do not reuse cooked oil to ensure the health of food.

- Before use for the first time, fill the kettle with water to the maximum water level, select the "HIGH" function, boil it and pour out the boiled water, and then repeat the operation again to clean the inside of the kettle to remove the odor.

Introduction of Operation Buttons

S.N.	Item	Function
1	OFF	When the knob is turned to "OFF" position, the indicator light will be off and the product will be in the state of power off
2	LOW	When the knob is turned to "LOW", the indicator light will be on and the product will be in a slow heating state
3	HIGH	When the knob is turned to "HIGH", the indicator light will be on, and the product will be in a fast heating state

— 6 —

Chapter IV Care and Maintenance

How to Clean the Appliance

- Before cleaning the appliance, unplug it and let it cool down.
- Do not immerse the appliance, power line, power plug and power base in water.
- Ensure that electrical lines should be dry.
- Wipe the housing of the appliance with a wet cloth. Do not use scouring powder, cleaning agent and other substances to clean it to avoid the damage to the housing gloss of the appliance.

How to Clear Water Scale

In order to keep the appliance in good working conditions, it is necessary to remove scale frequently. If there are obvious spots on the heating plate at the bottom inside of the pot, then it means that your pot needs to be cleaned to remove the scale. The following methods can be used to remove scale:

- Use special descaling products suitable for the appliance according to the instruction manual.
- Add 0.5L 8% white vinegar into the pot and soak the scale for 1 hour, then pour away the white vinegar and rinse the pot with clean water for 4-5 times.
- Add 0.5L water, then add 25g citric acid to heat and soak it for 15 minutes, then rise it 4-5 times with clean water.

— 7 —

Chapter V Maintenance Service Guarantee

In case of product fault, please contact your local dealer

- Joyoung electric hot pot enjoys the one-year warranty.
- The starting date of the warranty shall be subject to the invoice date of the product.
- One of the following circumstances is not covered by the warranty:
 - Damage caused by improper use, storage and maintenance of consumers
 - Damage caused due to the installation, disassembly and repair not by the designated maintenance department of the company.
 - The product model stated on the invoice is altered or not consistent with the model of the product to be repaired.
 - Without effective invoice.
 - Damage caused by force majeure
 - The electric hot pot is used for commercial purposes.

Chapter VI Model and Specifications

Model	Rated voltage	Rated frequency	Rated power	Rated Capacity
K12-D603E (BROWN) K12-D603E (SALLY)	220-240V	50-60Hz	600-715W	1.2L

— 8 —

Chapter VII Troubleshooting

Note: The inspection and judgment shall be implemented in working state

Symptom	Cause Analysis	Troubleshooting
The heating plate does not work	The power plug is not connected correctly	Please check whether the power plug is connected correctly
	Power line damaged or broken	Please contact your local dealer
	Thermal cutoff protection against abnormal high temperature	Please contact your local dealer
The indicator light is not on	Dry burning-resistant protection	After the power supply is cut off, please add proper amount of water into the pot
	Indicator light damage	Please contact your local dealer
Heating plate heating	The indicator light line disconnected	Please contact your local dealer
	Knob clip broken or gear switch shaft broken	Please contact your local dealer
Knob immobility or idle		
Odor in water		1. Solve the problem according to the methods specified in Article 5 in the section of "How to Use". 2. If the methods above cannot work, add water into the pot to the maximum level and then add 2 spoons of baking soda into the pot, heat the water and pour the boiled water.
	There is scale in the pot or the water in the pot becomes cloudy	This is because the hardness of the local water is high and calcium carbonate and magnesium carbonate in water are easy to form scale. Please remove the scale in time

Warm Tips

The contents above are the common faults and troubleshooting methods; in case of other faults, please contact your local dealer for repair; do not disassemble or repair it by yourself.

— 9 —

Chapter VIII After-Sales Services

Service Terms

- The product enjoys the one-year warranty from the date of purchase, providing that the product is used under normal household conditions and properly maintained according to the requirements outlined in this manual.
- The purchase invoice shall be used as the voucher of the warranty of products.

Scope of Non-Guarantee

- Damage caused by improper handling, use, storage and maintenance of consumers;
- Damage caused due to the installation and maintenance not by the designated service outlets of the company (including installation, disassembly and repair by consumers themselves);
- There is no valid invoice or purchase certificate, and it cannot be proved that it belongs to the period of one-year warranty;
- Invoices are inconsistent with the actual product or altered;
- Damage caused by irresistible natural disasters;
- Exceeding the one-year warranty period;
- Damage due to the operating conditions (such as voltage, humidity, temperature, ventilation conditions, etc.) inconsistent with the requirements in the manual.

After-sales Service

For after-sales service, please contact your local dealer.

— 10 —